

Hardware

CRF TRACK PACK FACTORY STYLE HARDWARE KIT

THE FACTORY STYLE HARDWARE HONDA CRF RIDERS ARE LOOKING FOR. NEVER AGAIN LOSE A BOLT YOU CAN'T REPLACE! OUR CONVENIENT CRF TRACK PACK FITS IN YOUR TOOL BOX AND CONTAINS 56 PIECES OF THE HARDWARE RIDERS NEED. TAKE A LOOK AT THE CONTENTS LIST BELOW AND YOU WILL AGREE THIS IS A HANDY LITTLE KIT! ALL OUR HARDWARE MEETS OR EXCEEDS OEM SPECS. PROUDLY PRODUCED IN THE USA



02-56CRFTP

JAPANESE TRACK PACK II

THE NUMBER ONE AFTERMARKET FASTENER KIT! THE TRACK PACK II HAS BEEN REVISED FOR 2009 AND IS BETTER THAN EVER WITH 54 PIECES OF FACTORY STYLE HARDWARE. NOW INCLUDED HEX FLANGE BOLTS WITH INTEGRATED WASHERS AND T-NUTS! DESIGNED FOR LATE MODEL MOTOCROSS AND OFF-ROAD JAPANESE MOTORCYCLES INCLUDING HONDA, YAMAHA, KAWASAKI, AND SUZUKI. ALL OUR HARDWARE MEETS OR EXCEEDS OEM SPECS. PROUDLY PRODUCED IN THE USA.



02-54TRKPK

EURO STYLE TRACK PACK-KTM FACTORY STYLE

50 PIECES OF KTM FACTORY STYLE HARDWARE IN SIZES RIDERS NEED. WE ARE DEDICATED TO MAKING THE RIGHT FASTENERS FOR THE OFF-ROAD INDUSTRY AND ARE THE ONLY AFTERMARKET COMPANY TO MANUFACTURE KTM FACTORY STYLE HARDWARE. WE REVIEW THE CONTENTS OF OUR KITS EACH YEAR TO ENSURE OUR CUSTOMERS ARE GETTING FASTENERS THEY NEED AND USE. WE MADE A FEW IMPROVEMENTS TO THE EURO STYLE TRACK PACK FOR 2008 INCLUDING ADDING SUB-FRAME BOLTS, BREMBO STYLE BRAKE PIN CLIPS AND MORE! OUR HARDWARE MEETS OR EXCEEDS OEM SPECS. PROUDLY PRODUCED IN THE USA



02-48EUTP



Hardware

CRF PRO-PACK FACTORY STYLE HARDWARE KIT

198 PIECES OF HONDA FACTORY STYLE HARDWARE INCLUDING, ROTOR BOLTS, SHROUD BOLTS, T-NUTS, SEAT BOLTS, SUB-FRAME BOLTS, ALUMINUM AND COPPER DRAIN PLUG WASHERS AND MORE! SEE THE FULL CONTENTS LIST BELOW. DESIGNED FOR FULL SIZE HONDA CRF MODELS. ALL OUR HARDWARE MEETS OR EXCEEDS OEM SPECS. PROUDLY PRODUCED IN THE USA



03-2008-CRFP

JAPANESE PRO-PACK FACTORY STYLE HARDWARE

REVISED FOR 2009! NOW INCLUDES HEX FLANGE BOLTS WITH INTEGRATED WASHERS! THIS PROFESSIONAL SIZE FASTENER KIT CONTAINS OVER 200 PIECES OF FACTORY SIZE HARDWARE IN A DIVIDED ORGANIZER. DESIGNED FOR ALL LATE MODEL JAPANESE MOTORCROSS AND OFF-ROAD MOTORCYCLES INCLUDING HONDA, YAMAHA, KAWASAKI & SUZUKI. THIS KIT INCLUDES A FULL SET OF SPROCKET BOLTS. IDEAL FOR SERIOUS RACERS, RIDERS WITH MULTIPLE BIKES OR IF ON THE BAJA TRIP YOU ARE SIMPLY KNOWN AS "THAT-GUY-WHO-HAS-EVERYTHING-IN-HIS-MOTORHOME." OUR HARDWARE MEETS OR EXCEEDS OEM SPECS. PROUDLY PRODUCED IN THE USA.



03-2004-PP



Hardware

EURO STYLE PRO-PACK-KTM FACTORY STYLE

OVER 140 PIECES OF KTM FACTORY STYLE HARDWARE IN EXACT FACTORY SIZE AND FINISH. NEW VERSION FEATURES BILLET ALUMINUM BUSHINGS AND RIM LOCK SPACERS. DESIGNED FOR POPULAR LATE MODEL EUROPEAN DIRT BIKES INCLUDING KTM AND HUSABERG. OUR HARDWARE MEETS OR EXCEEDS OEM SPECS. PROUDLY PRODUCED IN THE USA

03-2004-EUP



NEW RIVET ASSORTMENT

OUR NEW RIVET SERVICE DEPARTMENT ASSORTMENT IS THE PERFECT WAY TO KEEP YOUR NYLON RIVETS ORGANIZED. 20 OF EACH OF OUR POPULAR PLASTIC CLIPS FOR BOTH SPORTBIKES AND SCOOTERS: M6 3-STAGE PUSH RIVETS, M7 3-STAGE PUSH RIVETS, M7 2-STAGE PRY RIVETS, & M8 3-STAGE PUSH RIVETS.

03-2009-RIVETS



ALLEN BOLT SERVICE DEPT ASSORTMENT

OUR SERVICE DEPARTMENT ASSORTMENTS ARE THE PERFECT WAY TO KEEP YOUR HARDWARE ORGANIZED. THESE KITS STACK TOGETHER TO SAVE SPACE AND INCLUDE EASY-TO-READ DESCRIPTIONS AND PART NUMBERS FOR EACH COMPARTMENT, SO YOU CAN RE-ORDER ONLY THE HARDWARE YOU NEED AS YOU NEED IT! LIKE ALL OF OUR PRODUCTS, EACH SERVICE DEPARTMENT ASSORTMENT CONTAINS ONLY HARDWARE THAT IS ACTUALLY USED ON MOTORCYCLES IN FACTORY STYLE SIZE AND FINISH, NO FILLER HARDWARE TO CLUTTER YOUR SHOP. OUR HARDWARE MEETS OR EXCEEDS OEM SPECS. PROUDLY PRODUCED IN THE USA.

03-SVCALLEN





Hardware

EURO STYLE SERVICE DEPT ASSORTMENT

OUR SERVICE DEPARTMENT ASSORTMENTS ARE THE PERFECT WAY TO KEEP YOUR HARDWARE ORGANIZED. THESE KITS STACK TOGETHER TO SAVE SPACE AND INCLUDE EASY-TO-READ DESCRIPTIONS AND PART NUMBERS FOR EACH COMPARTMENT, SO YOU CAN RE-ORDER ONLY THE HARDWARE YOU NEED AS YOU NEED IT! LIKE ALL OF OUR PRODUCTS, EACH SERVICE DEPARTMENT ASSORTMENT CONTAINS ONLY HARDWARE THAT IS ACTUALLY USED ON MOTORCYCLES IN FACTORY STYLE SIZE AND FINISH, NO FILLER HARDWARE TO CLUTTER YOUR SHOP. OUR HARDWARE MEETS OR EXCEEDS OEM SPECS. PROUDLY PRODUCED IN THE USA. THE EURO STYLE SERVICE DEPARTMENT ASSORTMENT CONTAINS FACTORY STYLE DACROMET PLATED FLANGE BOLTS, ALUMINUM BUSHINGS, BREMBO STYLE BRAKE PIN CLIPS AND MORE THAT YOUR SHOP NEEDS IN A CLEAR, STACKABLE ORGANIZER. KTM SERVICE PROVIDERS WILL LOVE THIS KIT



03-SVCEURO

FLANGE BOLT SERVICE DEPT ASSORTMENT

OUR SERVICE DEPARTMENT ASSORTMENTS ARE THE PERFECT WAY TO KEEP YOUR HARDWARE ORGANIZED. THESE KITS STACK TOGETHER TO SAVE SPACE AND INCLUDE EASY-TO-READ DESCRIPTIONS AND PART NUMBERS FOR EACH COMPARTMENT, SO YOU CAN RE-ORDER ONLY THE HARDWARE YOU NEED AS YOU NEED IT! LIKE ALL OF OUR PRODUCTS, EACH SERVICE DEPARTMENT ASSORTMENT CONTAINS ONLY HARDWARE THAT IS ACTUALLY USED ON MOTORCYCLES IN FACTORY STYLE SIZE AND FINISH, NO FILLER HARDWARE TO CLUTTER YOUR SHOP. OUR HARDWARE MEETS OR EXCEEDS OEM SPECS. PROUDLY PRODUCED IN THE USA.



03-SVCFLANGE

NUTS, WASHERS, SCREWS & COTTER PINS SERVICE

OUR SERVICE DEPARTMENT ASSORTMENTS ARE THE PERFECT WAY TO KEEP YOUR HARDWARE ORGANIZED. THESE KITS STACK TOGETHER TO SAVE SPACE AND INCLUDE EASY-TO-READ DESCRIPTIONS AND PART NUMBERS FOR EACH COMPARTMENT, SO YOU CAN RE-ORDER ONLY THE HARDWARE YOU NEED AS YOU NEED IT! LIKE ALL OF OUR PRODUCTS, EACH SERVICE DEPARTMENT ASSORTMENT CONTAINS ONLY HARDWARE THAT IS ACTUALLY USED ON MOTORCYCLES IN FACTORY STYLE SIZE AND FINISH, NO FILLER HARDWARE TO CLUTTER YOUR SHOP. OUR HARDWARE MEETS OR EXCEEDS OEM SPECS. PROUDLY PRODUCED IN THE USA. THE NUTS, WASHERS, SCREWS & COTTER PINS SERVICE DEPARTMENT ASSORTMENT CONTAINS METRIC SIZE T-NUTS, FUJI-LOCKING NUTS, FLANGE NUTS, WASHERS, SCREWS AND COTTER PINS IN A CLEAR, STACKABLE ORGANIZER



03-SVCNSWC



Hardware



DRAIN PLUG WASHER ASSORTMENT

04-2008-DPW

THE DRAIN PLUG WASHER ASSORTMENT CONTAINS 50 OF EACH SIZE OF OUR SOFT TEMPERED COMPRESSION WASHERS (ALSO CALLED CRUSH WASHERS) IN A CLEAR ORGANIZER. OEM'S RECOMMEND REPLACING DRAIN PLUG WASHERS AT EACH OIL OR COOLANT CHANGE. REFILLS AVAILABLE FOR EACH SIZE IN BAGS OF 50.

NEW HONDA CR/CRF ROTOR BOLTS

OUR NEW HONDA CR/CRF ROTOR BOLT KIT INCLUDES:

- (6) M6X19MM ROTOR BOLTS
- (6) M6 METAL LOCKING NUTS



04-2009-HRTR

NEW KTM ROTOR BOLTS

OUR NEW KTM ROTOR BOLT KIT FEATURES MEDIUM STRENGTH THREADLOCK PATCHES PREAPPLIED TO ROTOR BOLTS.

KIT INCLUDES:

- (12) M6X13MM ROTOR BOLTS



04-2009-KTMRTR

NEW SUZUKI/KAWASAKI ROTOR BOLTS

OUR NEW* SUZUKI RMZ & KAWASAKI KX/KXF ROTOR BOLT FEATURES MEDIUM STRENGTH THREADLOCK PREAPPLIED TO BOTH FRONT AND REAR ROTOR BOLTS.

KIT INCLUDES:

- (4) M6X13MM FRONT ROTOR BOLTS
- (4) M8X15MM REAR ROTOR BOLTS.



04-2009-SKRTR

NEW YAMAHA YZ/YZFROTOR BOLTS

OUR NEW* YAMAHA YZ/YZF ROTOR BOLT KIT FEATURES MEDIUM STRENGTH THREADLOCK PATCHES PREAPPLIED TO REAR ROTOR BOLTS.

KIT INCLUDES:

- (6) M6X16MM REAR ROTOR BOLTS
- (6) M6X12MM FRONT ROTOR BOLTS



04-2009-YRTR





Hardware

HUB SAVERS DOUBLE LOCKED SPROCKET FASTENING KIT-SILVER FINISH

04-2008-HS.S

HUB SAVERS DOUBLE LOCKED SPROCKET FASTENING KIT-GOLD FINISH

04-2008-HS.Y

HUB SAVERS DOUBLE LOCKED SPROCKET FASTENING KIT-BLACK FINISH

04-2008-HS.B

THIS KIT INCLUDES SIX CLASS 10.9 SILVER ZINC PLATED STEEL SPROCKET BOLTS WITH FACTORY STYLE METAL-LOCKING OR "FUJI" NUTS. EACH SPROCKET BOLT HAS MEDIUM STRENGTH THREADLOCK PATCHES APPLIED FOR A DOUBLE-LOCK. THREADLOCK LIQUIFIES AND ANAEROBICALLY SEALS WHEN THE BOLT IS TIGHTENED. THIS KIT ALSO INCLUDES AN 8MM TOOL INSERT FOR SOCKET WRENCHES. ALSO AVAILABLE IN BLACK AND YELLOW ZINC FINISHES. FITS ALL JAPANESE AND MOST EUROPEAN DIRT BIKES. OUR HARDWARE MEETS OR EXCEEDS OEM SPECS. PROUDLY PRODUCED IN THE USA

CRF OIL CHANGE WASHER ASSORTMENT

JUST WHAT YOU NEED FOR YOUR HONDA CRF OIL CHANGES. (3) M6x11MM SOFT TEMPERED COPPER SEALING WASHERS AND (6) M8x15MM SOFT TEMPERED ALUMINUM COMPRESSION WASHERS. HONDA RECOMMENDS REPLACING SEALING WASHERS AT EACH OIL CHANGE. OUR HARDWARE MEETS OR EXCEEDS OEM SPECS. PROUDLY PRODUCED IN THE USA



CHAIN ADJUSTER NUTS & BOLTS-STOCK APPLICATIONS

FOR STOCK APPLICATIONS (THIS ITEM IS DOES NOT WORK WITH OUR CUSTOM BILLET CHAIN ADJUSTER BLOCK FASTENERS). CLASS 8 ZINC PLATED STEEL (2) M8x50MM HEX HEAD BOLTS AND (2) M8 FLANGE JAMB NUTS WITH A 12MM A/F (HEX). FIT ALL STOCK APPLICATIONS THAT USE AN 8MM BOLT (MOST OFF-ROAD AND STREET MODELS). OUR HARDWARE MEETS OR EXCEEDS OEM SPECS. PROUDLY PRODUCED IN THE USA



04-2006-CH



Hardware

M 6,7,8MM NYLON PUSH RIVETS/PLASTIC CLIPS

THESE ARE VERY COMMON ON SUZUKI, YAMAHA, HONDA, AND KAWASAKI MODELS. ALSO CALLED SPORTBIKE FAIRING CLIPS, PLASTIC ATV FENDER RIVETS, OR PLASTIC MOTORCYCLE CLIPS. THESE COST A BUNDLE FROM THE FACTORY BUT OUR TEN PACKS ARE SO AFFORDABLE. OUR HARDWARE MEETS OR EXCEEDS OEM SPECS. PROUDLY PRODUCED IN THE USA.

2005-6SRIV

2005-7SRIV

2005-8SRIV



M 7,8MM NYLON PRY RIVETS/PLASTIC CLIPS

10 PACK OF TWO-STAGE REMOVABLE, REUSABLE BLACK NYLON PRY RIVETS. MATCHES FACTORY HONDA ATV AND CRF-MODELED 50CC PIT BIKES. ALSO CALLED FAIRING CLIPS, PLASTIC ATV FENDER RIVETS, OR PLASTIC MOTORCYCLE CLIPS. OUR HARDWARE MEETS OR EXCEEDS OEM SPECS. PROUDLY PRODUCED IN THE USA.

2005-ORRIV

2005-7RIV



Hardware

ALUMINUM WORKS WASHERS (10 PACK)

YOUR BIKE WILL LOOK LIKE THE PROS' WITH OUR WORKS SERIES WASHERS! INSTALL IN PLACE OF ANY M6 WASHERS WITH AN OUTER DIAMETER OF 22-25MM. REPLACE YOUR RADIATOR AND GAS TANK MOUNTS ON A HONDA, KAWASAKI, SUZUKI, OR YAMAHA DIRT BIKE. MADE FROM 6061 BILLET ALUMINUM IN THE USA. SILVER ONLY. PACK OF 10.

2009-AWW



WORKS TANK WASHER

YOUR BIKE WILL LOOK LIKE THE PROS' WITH OUR WORKS TANK WASHER! ANODIZED AND COUNTERSUNK, AVAILABLE IN BLUE, GREEN, RED, YELLOW OR SILVER. MADE FROM 6061 BILLET ALUMINUM IN THE USA

2009-WTW.BL -BLUE
2009-WTW.G -GREEN
2009-WTW.R -RED
2009-WTW.S -SILVER
2009-WTW.Y -YELLOW



WORKS TANK BOLT-CRF

2009-GTB.H

WORKS TANK BOLT- YZ,KX, RM

2009-GTB



TANK BOLT IS ULTRA-LIGHT MACHINED BILLET ALUMINUM WITH STEEL THREADS FOR STRENGTH AND DURABILITY. NO ANTI-SIEZE LUBRICANTS ARE NECESSARY. FITS HONDA, OFF-ROAD MODELS WITH AN ALUMINUM PERIMETER FRAME . PROUDLY MADE IN THE USA.

M6X16MM OD EURO STYLE 01-020-40616

M6X16MM OD EURO STYLE NOTCHED COLLAR BUSHING
BAG OF 5



M6X23MM OD EURO STYLE RECESSED

M8x23MM OD EURO STYLE RECESSED COLLAR BUSHING
BAG OF 5



01-020-40623

Hardware

M8X28MM OD EURO STYLE PIPE MOUNT COLLAR BUSHING

M8X28MM OD EURO STYLE PIPE MOUNT COLLAR BUSHING
BAG OF 5

01-020-40800

- M6 x 12 BUTTON HEAD BOLTS-** 024-40612
- M6 x 16 BUTTON HEAD BOLTS-** 024-40616
- M6 x 20 BUTTON HEAD BOLTS-** 024-40620
- M6 x 25 BUTTON HEAD BOLTS-** 024-40625
- M8 x 20 BUTTON HEAD BOLTS-** 024-40820
- M8 x 30 BUTTON HEAD BOLTS-** 024-40830
- M8 x 40 BUTTON HEAD BOLTS-** 024-40840

BUTTON HEAD BOLTS, ZINC PLATED 8.8 GRADE HIGH CARBON STEEL
BAG OF 10



- M5 x12 FAIRING BOLT-** 024-90512
- M5 x16 FAIRING BOLT-** 024-90516
- M5 x20 FAIRING BOLT-** 024-90520
- M6 x12 FAIRING BOLT-** 024-90612
- M6 x16 FAIRING BOLT-** 024-90616
- M6 x20 FAIRING BOLT-** 024-90620
- M5 x25 FAIRING BOLT-** 024-90625

ALLEN FAIRING BOLTS ZINC PLATED 8.8 GRADE STEEL FOUND ON STREET
BIKE FAIRINGS AND ATV'S.



Hardware

- M6 X 12 HEX HEAD FLANGE BOLTS-** 024-10612
- M6 X 14 HEX HEAD FLANGE BOLTS-** 024-10614
- M6 X 16 HEX HEAD FLANGE BOLTS-** 024-10616
- M6 X 18 HEX HEAD FLANGE BOLTS-** 024-10618
- M6 X 20 HEX HEAD FLANGE BOLTS-** 024-10620
- M6 X 30 HEX HEAD FLANGE BOLTS-** 024-10630
- M6 X 35 HEX HEAD FLANGE BOLTS-** 024-10635
- M6 X 40 HEX HEAD FLANGE BOLTS-** 024-10640
- M8 X 16 HEX HEAD FLANGE BOLTS-** 024-20816
- M8 X 20 HEX HEAD FLANGE BOLTS-** 024-20820
- M8 X 25 HEX HEAD FLANGE BOLTS-** 024-20825
- M8 X 30 HEX HEAD FLANGE BOLTS-** 024-20830
- M8 X 35 HEX HEAD FLANGE BOLTS-** 024-20835
- M8 X 40 HEX HEAD FLANGE BOLTS-** 024-20840



M6 AND M8 HEX HEAD FLANGE BOLTS
BAG OF 10

M4x12 SOCKET HEAD CARBURETOR SCREWS

024-50412

M4x12 SOCKET HEAD CARBURETOR SCREWS, ZINC PLATED
8.8 GRADE HIGH CARBON STEEL

BAG OF 10



- M6 x 16 SOCKET HEAD BOLTS-** 024-50616
- M6 x 20 SOCKET HEAD BOLTS-** 024-50620
- M6 x 25 SOCKET HEAD BOLTS-** 024-50625
- M6 x 30 SOCKET HEAD BOLTS-** 024-50630
- M6 x 35 SOCKET HEAD BOLTS-** 024-50635
- M6 x 40 SOCKET HEAD BOLTS-** 024-50640
- M8 x 20 SOCKET HEAD BOLTS-** 024-50820
- M8 x 30 SOCKET HEAD BOLTS-** 024-50830
- M8 x 40 SOCKET HEAD BOLTS-** 024-50840

SOCKET HEAD BOLTS, ZINC PLATED 8.8 GRADE HIGH CARBON
STEEL
BAG OF 10

Hardware

M6 x 12 HEX HEAD FLANGE BOLTS- 023-10612

M6 x 16 HEX HEAD FLANGE BOLTS- 023-10616

M6 x 20 HEX HEAD FLANGE BOLTS- 023-10620

M6 x 25 HEX HEAD FLANGE BOLTS- 023-10625

HEX HEAD FLANGE BOLTS, ZINC PLATED 8.8 GRADE HIGH CARBON STEEL
BAG OF 10

M5 x 16 EURO STYLE 8MM HEX HEAD FLANGE BOLT

M5x16MM EURO STYLE FLANGE BOLT
BAG OF 10

024-50516

M6 EURO STYLE CONVEX WASHERS

M6 CONVEX WASHER, ZINC PLATED STEEL
BAG OF 10

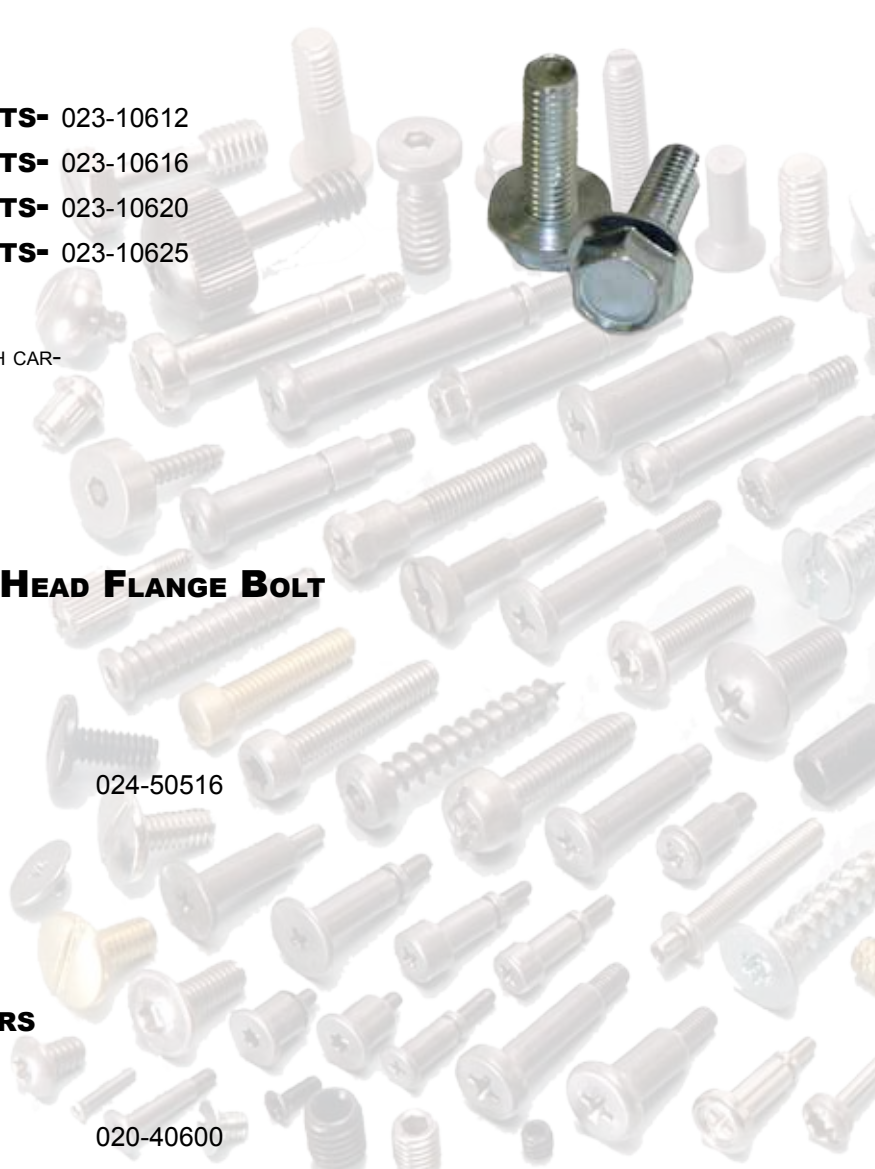
020-40600

M6x12 EURO STYLE 8MM HEX HEAD FLANGE BOLTS

M6x12 DIMPLED 8MM HEX HEAD FLANGE BOLTS, DACROMET PLATED 8.8 GRADE HIGH CARBON STEEL

024-60612

BAG OF 10



Hardware

M6x12 EURO STYLE 8MM HEX HEAD HALF SHOULDER LARGE

M6x12 DIMPLED 8MM HEX HEAD HALF SHOULDER LARGE-
FLANGE BOLTS, DACROMET PLATED 8.8 GRADE HIGH CARBON
STEEL

BAG OF 10

024-606 024-



M6x16 EURO STYLE 8MM HEX HEAD FLANGE BOLTS

024-60616

M6x20 EURO STYLE 8MM HEX HEAD FLANGE BOLTS

024-60620

M6x30 EURO STYLE 8MM HEX HEAD FLANGE BOLTS

024-60630

M6x16 DIMPLED 8MM HEX HEAD FLANGE BOLTS, DACROMET
PLATED 8.8 GRADE HIGH CARBON STEEL

BAG OF 10



M6x20 EURO STYLE 6MM HEX HEAD SHROUD SCREW

M6x20 6MM HEX HEAD SHROUD SCREW, YELLOW ZINC PLATED
8.8 GRADE HIGH CARBON STEEL

BAG OF 10

022-30620



Hardware

M6x20 EURO STYLE 8MM HEX HEAD LARGE FLANGE BOLTS

M6x20 DIMPLED 8MM HEX HEAD LARGE FLANGE BOLTS, DACROMET PLATED 8.8 GRADE HIGH CARBON STEEL

BAG OF 10

024-70620



M8x16 EURO STYLE SUB-FRAME BOLT

M8x16 EURO SUB-FRAME BOLT
BAG OF 10

024-80816



M8x16 EURO STYLE SUB-FRAME BOLT

M8x16 EURO SUB-FRAME BOLT
BAG OF 10

024-80816



M8x30 EURO STYLE 10MM HEX HEAD FLANGE BOLTS

M8x30 DIMPLED 10MM HEX HEAD FLANGE BOLTS, DACROMET PLATED 8.8 GRADE HIGH CARBON STEEL

BAG OF 10

024-60830



UMAPSTRADING

Info@umapstrading.co.za



Hardware

M6 x 1.00 FLANGE NUTS- 021-10610

M8 x 1.25 FLANGE NUTS- 021-10812

M10 x 1.25 FLANGE NUTS- 021-11014

M6,8,10MM HEX HEAD SMOOTH FLANGE NUT ZINC PLATED 8.8
GRADE STEEL
BAG OF 10



M6 NYLOCK NUTS 021-30600

M8 NYLOCK NUTS 021-30800

M6 10MM HEX HEAD NYLON LOCKING NUT
BAG OF 10



M6 FUJI-STYLE METAL LOCKING NUTS 021-30610

M8 FUJI-STYLE METAL LOCKING NUTS 021-30812

M10FUJI-STYLE METAL LOCKING NUTS 021-31014

M6,8,10MM HEX HEAD SMOOTH FLANGE FUJI-STYLE METAL
LOCKING SAFETY NUT ZINC PLATED 8.8 GRADE STEEL

BAG OF 10



M4x12 PHILLIPS FLUSH MOUNT SCREWS

M4x12 PHILLIPS FLUSH MOUNT FLAT HEAD SCREW ZINC
PLATED STEEL
BAG OF 10

M5x10 PHILLIPS PAN HEAD SCREWS 022-20510

M5x15 PHILLIPS PAN HEAD SCREWS 022-20515

M5x10 & 15 PHILLIPS PAN HEAD SCREW ZINC PLATED STEEL
BAG OF 10

022-10412



Hardware



- 2.0 x 20MM COTTER PINS** 01-022-71620
- 2.5 x 25MM COTTER PINS** 01-022-72525
- 3.2 x 25MM COTTER PINS** 01-022-73225
- 3.2 x 40MM COTTER PINS** 01-022-73240

EXTENDED PRONG - CHISEL POINT METRIC ZINC-PLATED
STEEL COTTER PIN 2.0,2.5,3.2,MM DIAMETER

BAG OF 10

NOTE: PLATING MAY BE CLEAR OR YELLOW ZINC

BREMBO STYLE BRAKE PIN CLIP

BREMBO STYLE BRAKE PIN CLIP

BAG OF 25



01-022-10412

M4 SPLIT LOCK WASHERS

M4 SPLIT LOCK WASHERS

BAG OF 10

01-020-30400

M6x12 FLAT WASHERS

M6 FLAT WASHERS OD 12MM

BAG OF 10

01-020-10600

M6 x 16 FENDER WASHERS 01-20-20616

M6 x 20 FENDER WASHERS 01-020-20620

M6 x 22 FENDER WASHERS 01-020-20622

M6 x 25 FENDER WASHERS 01-020-20625

M6 FENDER WASHERS OD 16MM,20,22,25

BAG OF 10



Hardware

M8 x 17 FENDER WASHERS 01-020-10800

M8 x 25 FENDER WASHERS 01-020-10825

M8 x 30 FENDER WASHERS 01-020-10830

M8 FENDER WASHERS OD 17MM,25,30
BAG OF 10



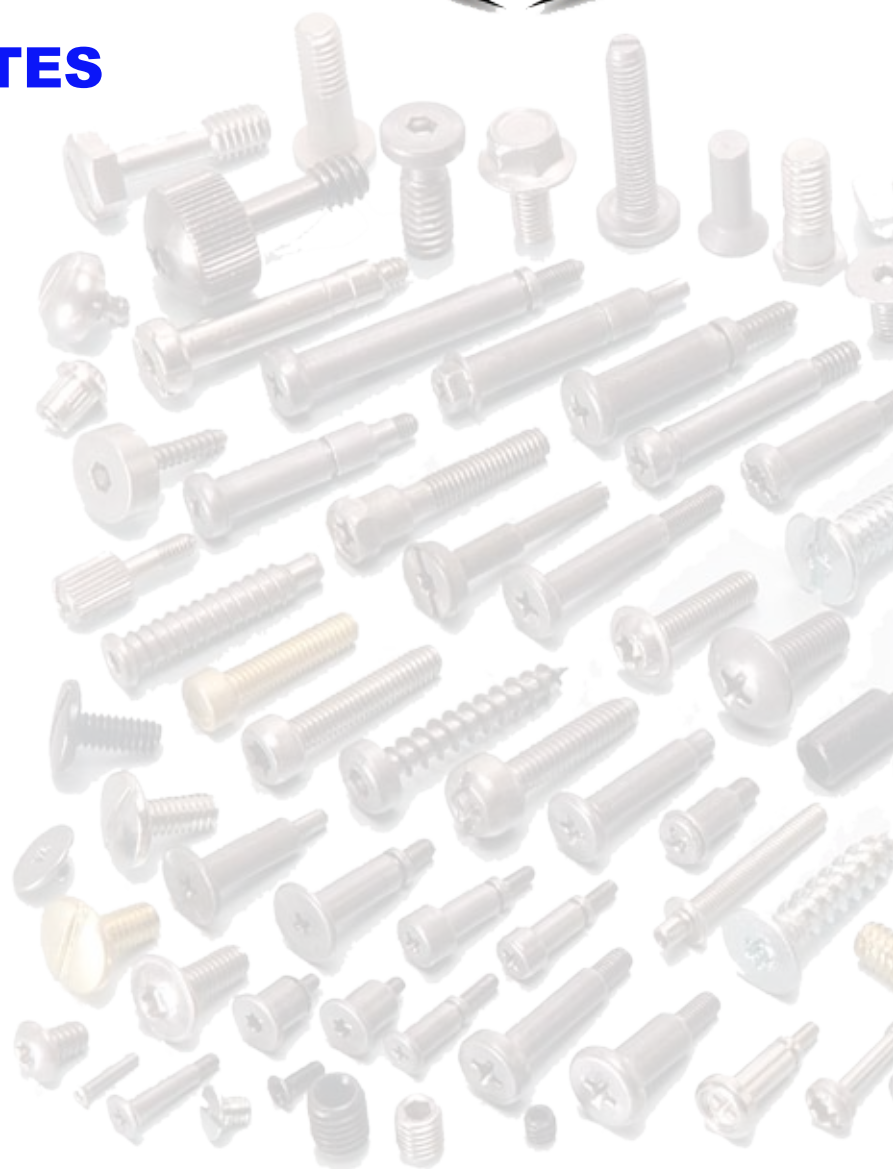
CR FENDER STYLE WASHER NUTS

01-021-30611





NOTES



NOTES

